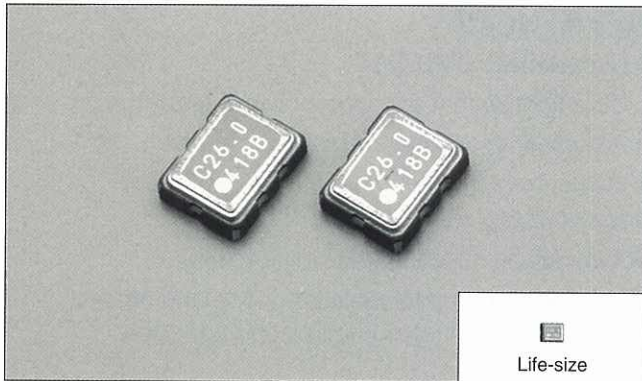


# CSX-325T

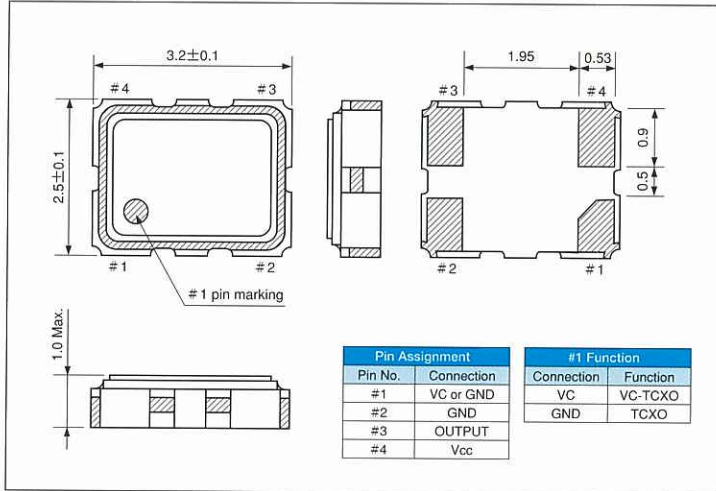
2000pcs/reel



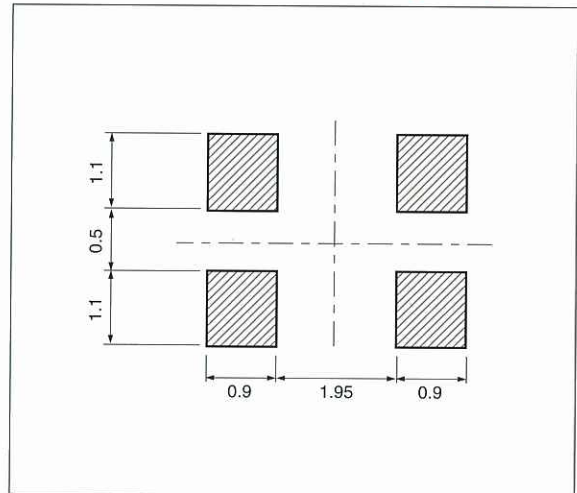
## FEATURES

- High-density SMD type.  
Ultra-light weight and ultra-miniature size.
- With the function of frequency and voltage control.
- Available in 1.8V ultralow voltage drive.
- Low current consumption.
- Automatic mounting and reflowable type.
- Most appropriate for cellular phone, GPS and other equipment with telecommunication devices.

## DIMENSION [mm]



## SOLDER PAD LAYOUT [mm]



## STANDARD SPECIFICATIONS

Item	Model	CSX-325T			
Nominal Frequency	$f_0$	13.0MHz , 16.0MHz	19.2MHz	23.104MHz , 26.0MHz , 32.0MHz , 33.6MHz , 38.4MHz	52.0MHz
Frequency Stability	$\Delta f/f_0$	$\pm 2.5\text{ppm} / (-30^\circ\text{C} \sim +75^\circ\text{C})$			
Operating Temperature Range	$T_{\text{OPR}}$	$-30^\circ\text{C} \sim +75^\circ\text{C}$			
Storage Temperature Range	$T_{\text{STR}}$	$-40^\circ\text{C} \sim +85^\circ\text{C}$			
Supply Voltage	$V_{\text{dd}}$	$1.8\text{V} \sim 3.0\text{V}$			
Frequency adjustment range	$\Delta f_{\text{VC}}$	$\pm 8\text{ppm Min.} / (V_{\text{cont}}=V_{\text{dd}}/2 \pm 1.0\text{V})$			
Current consumption	$I_{\text{dd}}$	1.5mA Max		2.0mA Max	2.5mA Max
Output Voltage	$V_{\text{OUT}}$	$0.8\text{Vp-p Min.} (10\text{k}\Omega / 10\text{pF})$			
Start-up time	$T_{\text{ST}}$	5.0 msec Max.		3.5 msec Max.	
Aging (first year)	$F_A$	$\pm 1.0\text{ppm} / \text{year Max.}$			