

# Temperature Compensated Crystal Oscillators (TCXO) Surface Mount Type TCXO (LSI Type) KT3225 Series for GPS



3.2×2.5mm



RoHS Compliant

## Features

- Miniature SMD type (3.2×2.5×1.0mm)
- Freq. temp. characteristics:  $\pm 0.5 \times 10^{-6} / -30$  to  $+85^\circ\text{C}$
- 2.3 to 3.9V drive available
- Reflow compatible
- Lower Operating Temp.  $-40^\circ\text{C}$  (Option)
- AFC Function (Option)

## Applications

- GPS Units

## How to Order

KT3225P 26000 A C W 28 T xx  
① ② ③ ④ ⑤ ⑥ ⑦ ⑧

① Series	⑥ Supply Voltage
② Output Frequency	<b>28</b> 2.8V <b>30</b> 3.0V
③ Freq. Temp. Chrst.	⑦ Voltage Control Range
<b>A</b> $\pm 0.5 \times 10^{-6}$	<b>T</b> TCXO
④ Lower Operating Temp.	⑧ Option Code
<b>C</b> $-30^\circ\text{C}$	
<b>E</b> $-20^\circ\text{C}$	
<b>G</b> $-10^\circ\text{C}$	
⑤ Upper Operating Temp.	
<b>W</b> $+85^\circ\text{C}$	
<b>V</b> $+80^\circ\text{C}$	
<b>U</b> $+75^\circ\text{C}$	

Packaging (Tape & Reel 3000 pcs./ reel)

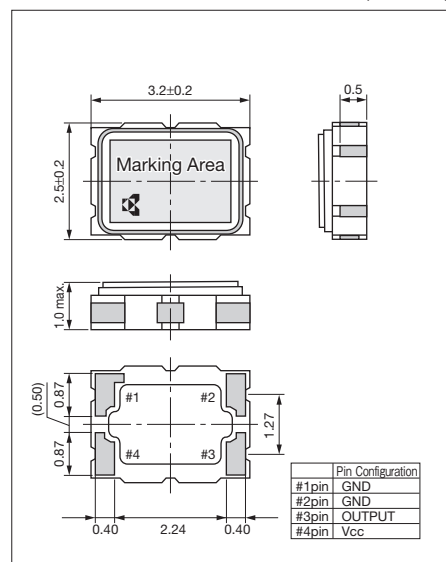
## Specifications

Item	Symbol	Conditions	Min.	Max.	Units
Output Frequency Range	$f_o$	Standard Frequency: 16.368, 16.369, 19.2, 24.5535, 26, 27.456	13	52	MHz
Frequency Tolerance	$f_{tol}$	vs Temperature	-0.5	+0.5	$\times 10^{-6}$
		vs Load	-0.1	+0.1	
		vs Voltage	-0.2	+0.2	
Frequency Aging	$f_{age}$	Per Year	-1	+1	$\times 10^{-6}$
Storage Temperature Range	$T_{stg}$		-40	+85	$^\circ\text{C}$
Operating Temperature Range	$T_{use}$		-30	+85	$^\circ\text{C}$
Supply Voltage	$V_{cc}$		2.3	3.9	V
Output Level	$V_{pp}$	Clipped Sine*, Load: 10k ohm // 10pF	0.8	—	Vp-p
Current Consumption	$I_{cc}$		—	2	mA
Harmonics	—		—	-5	dBc

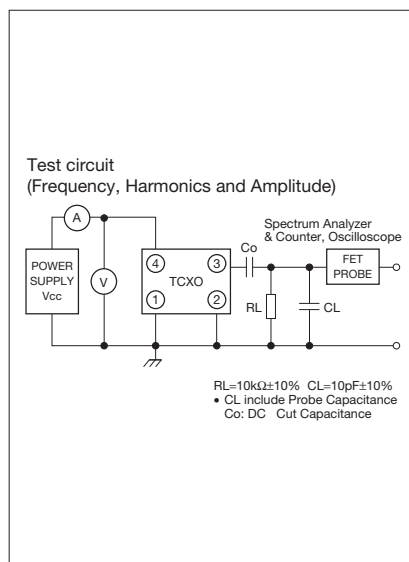
\* : A DC-cut capacitor is not embedded in this crystal oscillator. Connect a DC-cut capacitor ( $\geq 1\text{nF}$ ) to the line-out terminal of the oscillator. Please contact us for other specifications.

## Dimensions

(Unit: mm)



## Test Circuit



## Recommended Land Pattern

(Unit: mm)

